

# RECORD OF SURVEY

IN THE CITY OF PASADENA  
COUNTY OF LOS ANGELES  
STATE OF CALIFORNIA

BEING AN INITIAL SURVEY OF A PORTION OF LOT 6, PLAT OF GOODWINS  
SUBDIVISION AS PER MAP RECORDED IN BOOK 9 PAGE 87, MISCELLANEOUS  
RECORDS, RECORDS OF SAID COUNTY

### SURVEYORS STATEMENT

THIS MAP CORRECTLY REPRESENTS A SURVEY MADE BY ME OR UNDER MY DIRECTION IN CONFORMANCE WITH THE REQUIREMENTS OF THE PROFESSIONAL LAND SURVEYORS ACT AT THE REQUEST OF \_\_\_\_\_ ON BEHALF OF \_\_\_\_\_ GROUP IN SEPTEMBER OF 2010.



OCTOBER 12 2010  
PAUL M. PLUTAE L.S. 4722

### SURVEYORS NOTES / COMMENTS

THIS SURVEY IS FILED TO SHOW THE MONUMENTATION OF THE LANDS SHOWN, FOUND OR SET, AND METHOD OF ESTABLISHMENT OF THE LANDS AS REQUIRED BY SECTION 8762 (b) (1) (2) (3) (4) (5) OF THE PROFESSIONAL LAND SURVEYORS ACT.

ALL SET MONUMENTS TAGGED LS 4722  
● = FOUND OR SET MONUMENT AS NOTED.

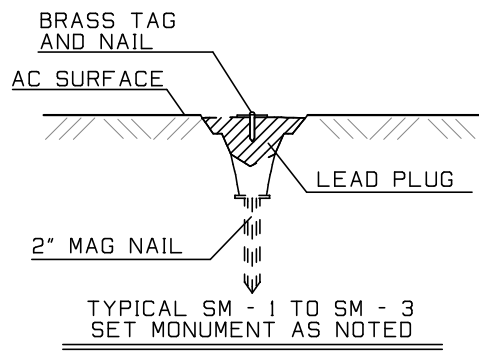
A SEARCH FOR CENTERLINE MONUMENTS WEST OF THE INTERSECTION OF WALNUT STREET AND RAYMOND AVENUE TO FAIR OAKS AVENUE FAILED TO RECOVER ANY ON AN APPARENT CENTERLINE OF WALNUT STREET.

### COUNTY SURVEYORS STATEMENT

THIS MAP HAS BEEN EXAMINED IN ACCORDANCE WITH SECTION 8766 OF THE PROFESSIONAL LAND SURVEYORS ACT THIS

\_\_\_\_\_ DAY OF \_\_\_\_\_ 2010

COUNTY SURVEYOR: \_\_\_\_\_  
DEPUTY: \_\_\_\_\_



### BASIS OF BEARINGS

THE BEARINGS SHOWN HEREON ARE BASED ON THE BEARING OF EAST OF WALNUT STREET, AS ESTABLISHED BY SPLIT OF CURB IMPROVEMENTS. SAID BEARING IS SHOWN AS 'E' ON THE MAP OF SAID GOODWINS.

