

Rose Leaves

By Linda S Davies ©2009

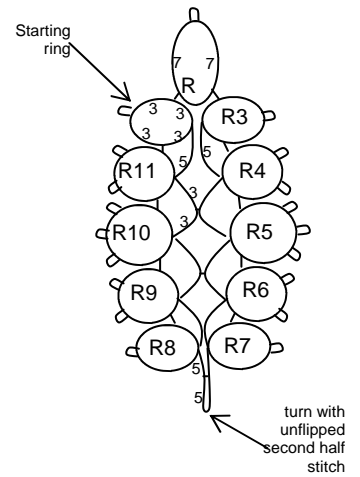
Materials:

Green cotton size 20, shuttle, 24 gauge green wire, PVA glue, green florist's tape

Method:

Wind shuttle but do not cut from ball.

- R1 3 - 3 - 3 - 3 cl
 R2 3 + (to p on R1) 7 - 7 - 3 cl
 R3 3 + (to p on R2) 3 - 3 - 3 cl RW
 Ch1 5 RW
 R4 3 + (to p on R3) 3 - 3 - 3 - 3 cl RW
 Ch2 3 - 3 RW
 R5 3 + (to p on R4) 3 - 3 - 3 - 3 - 3 cl RW
 Ch3 3 - 3 RW
 R6 3 + (to p on R5) 3 - 3 - 3 - 3 cl RW
 Ch4 5 RW
 R7 3 + (to p on R6) 3 - 3 - 3 cl RW
 Ch5 5 - 5, work 2nd half of double stitch without flipping the stitch to make a turn, 5 + (to last p made) 5, j to base of R7 as if joining to a p and then work the 2nd half of the stitch to anchor join. RW
 R8 3 - 3 - 3 - 3 cl RW
 Ch6 5 RW
 R9 3 + (to p on R8) 3 - 3 - 3 - 3 cl RW
 Ch7 3 + (to p on Ch3) 3 RW
 R10 3 + (to p on R9) 3 - 3 - 3 - 3 - 3 cl RW
 Ch8 3 + (to p on Ch2) 3 RW
 R11 3 + (to p on R10) 3 - 3 - 3 + (to p on R1) 3 cl RW
 Ch9 5 j to base of starting point.



To make up:

1. Tat 5 leaves.
2. Cut 5 pieces of wire to 3" (8cm)
3. Cut 1 piece of wire to 6" (15cm)
4. Dab glue along the back of each leaf and stick a short wire to it.
5. Repeat for each leaf and leave to dry.
6. Cut a strip of green florist's tape along its length.
7. Tape a leaf to the end of the long wire.
8. Tape another leaf approx 2" (5cm) down from the first leaf.
9. Tape another leaf on the other side of the last leaf.
10. Tape the last two leaves in the same way approx 2" (5cm) lower than the last two.
11. Curl each leaf and spread the leaves out into a natural shape.

